

adiTouch

PROXIMITY CARD DATA TERMINAL

ADI Time provides a complete product line of IP based real-time “Push” terminals designed for adiTime software solutions. The ADI-T700X Proximity Card Data Terminal offers flexible input for a variety of proximity card technologies, and a state of the art touch screen interface. This innovative device is built on a powerful processor platform in order to seamlessly integrate with adiTime software, and provide a world class user experience including employee self-service.

IP real-time “push clock”

All employee information is instantly recognized in adiTime Software.

Easy-to-use graphical user interface

The intuitive GUI was developed with smartphone ease-of-use in mind, and is combined with the brilliant color display provides a world-class user experience.

Seamless integration to adiTime Software

The only clock designed by ADI Time, for ADI Time. Tight integration means the terminal is always up-to-date with software revisions and employee data.

Zero configuration and easy to install

No user interaction is necessary for initial configuration. Simply connect power and data to the clock and start punching.

Reliable and affordable

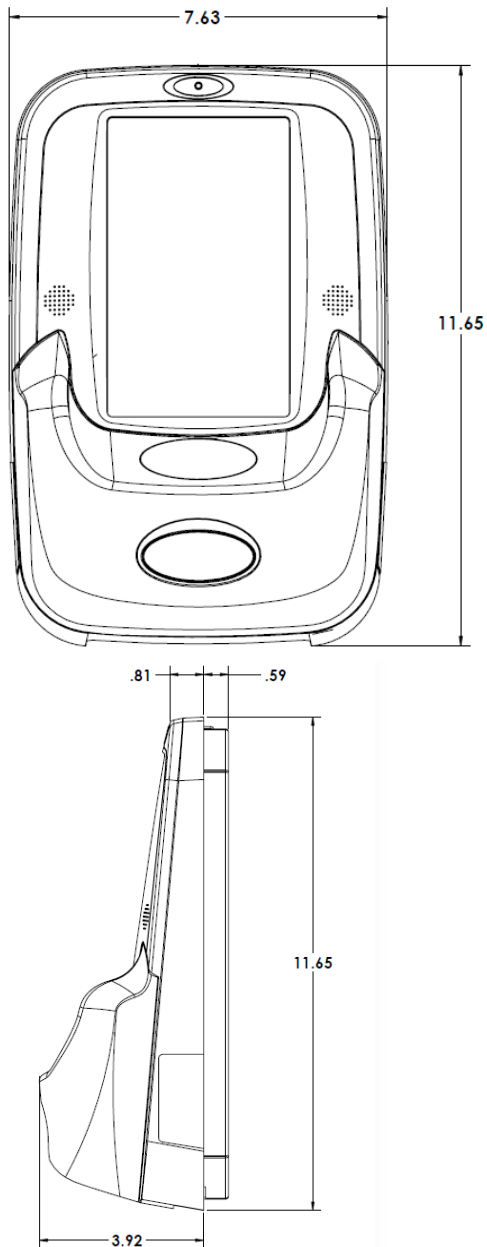
Low entry price provides a platform for small companies to realize efficiencies and power of biometric terminals when coupled with ADI Time’s industry leading time and attendance software. adiPad and adiTouch terminals are rugged and durable to withstand years of hard use from office settings to factory floors.

Multiple prox card technology supported

Common proximity card support included for best out-of-the-box experience.



ADI-T700X



PROXIMITY CARD AUTHENTICATION

Proximity cards are inexpensive, easy and quick for employees to use, reliable, and secure. The ADI Time proximity card solution has incorporated the ability to read many different types of proximity badges with a single model. This allows customers to utilize existing infrastructure or select the best solution for their environment. Supported card technologies include:

- 125kHz : HID, AWID, Lenel and GE/CASI
- 13.56MHz : MIFARE DESFire, Secure MIFARE, and iClass

specifications:

Weight :

3.5lbs w/o mounting plate ; 5.5lbs w/ mounting plate

Dimensions :

7.63"W X 11.65"H X 3.92"D

Power :

24W @ 12VDC

Installation with universal power supply ; 100 – 240 VAC
47 – 63 Hz

Environment :

Operating : 32F to 113F (0C to 45C) ; 20% to 80% RH
Storage : 14F to 140F (-10C to 60C) ; 5% to 85% RH

Communications :

Ethernet and USB

Display :

7.0" diagonal color 400 X 800 pixel resolution

Platform :

166Mhz processor ; 512MB flash memory with optional expansion

Access control :

SPDT relay for door lock output
ELECTRICAL SPECS FOR RELAY HERE

Optional Battery Backup :

Two hour battery backup
Utilizing 8 AAA NiMH batteries

Certifications

UL, FCC Class A

